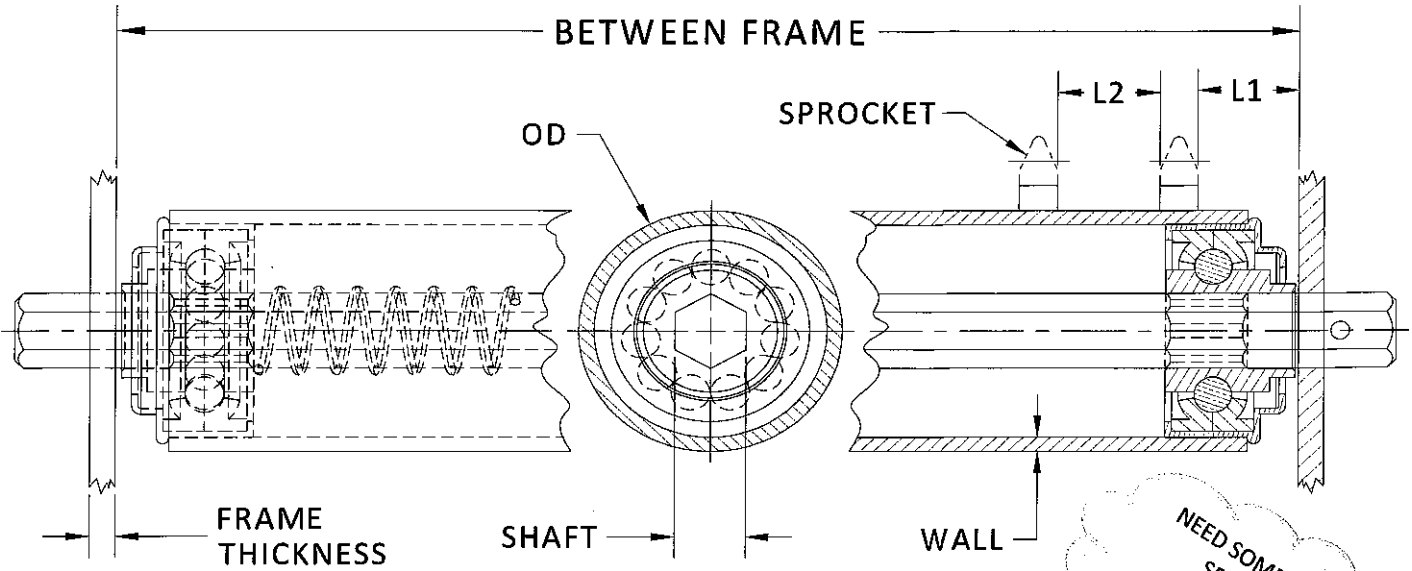


ROLLERTECH Mfg.

Phone: 502-634-0444

Fax: 502-634-0499



BETWEEN FRAME: _____

SPEED: _____

FRAME THICKNESS: _____

LOAD: _____ per roller

OD: _____

WALL: _____

SHAFT: _____

BEARING: _____

HEX | ROUND

LUBE: _____

L1: _____

RETENTION: _____

L2: _____

SPRING | COTTER | RING

QUANTITY: _____

SPROCKET or GROOVE: _____

BASIC CAPACITY (lbs.)	OD	WALL
35	1	18 gauge
50	1.375	18 gauge
270	1.625	11 gauge
270-300	1.9	9 gauge
270-300		12 gauge
200-270		16 gauge
270-900	2.5	11 gauge
270		14 gauge
600-2400	2.625	7 gauge
600	3.5	9 gauge
1040-6000		.300"
3600	4.5	.500"
6000	5	.710"

YOUR NAME: _____

PHONE: _____

E-MAIL: _____

WE HAVE VARIOUS BEARING AND LUBRICATION OPTIONS AVAILABLE.

TELL US ABOUT YOUR APPLICATION AND WE WILL HELP YOU SELECT THE OPTIONS THAT BEST MEET YOUR NEEDS.